

GBCU Tension Catch

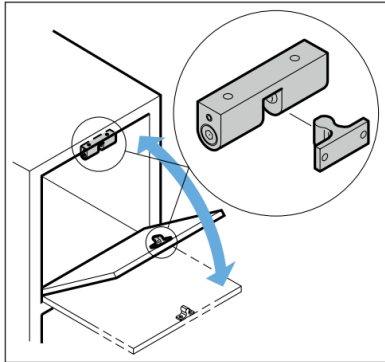
Features

- Can be installed vertically or horizontally

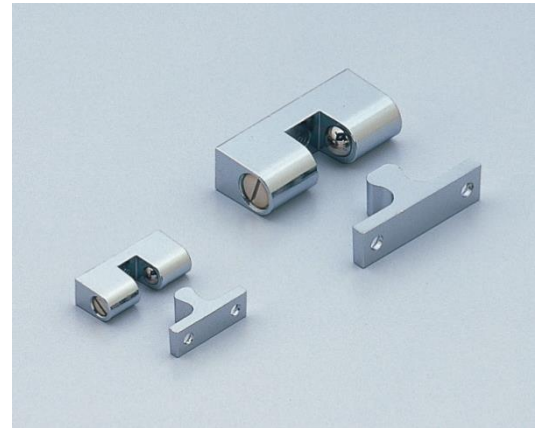
Notes

- Catch force is non adjustable, to not turn the slot portion
- Push-in and pulling force may vary depending on application environment

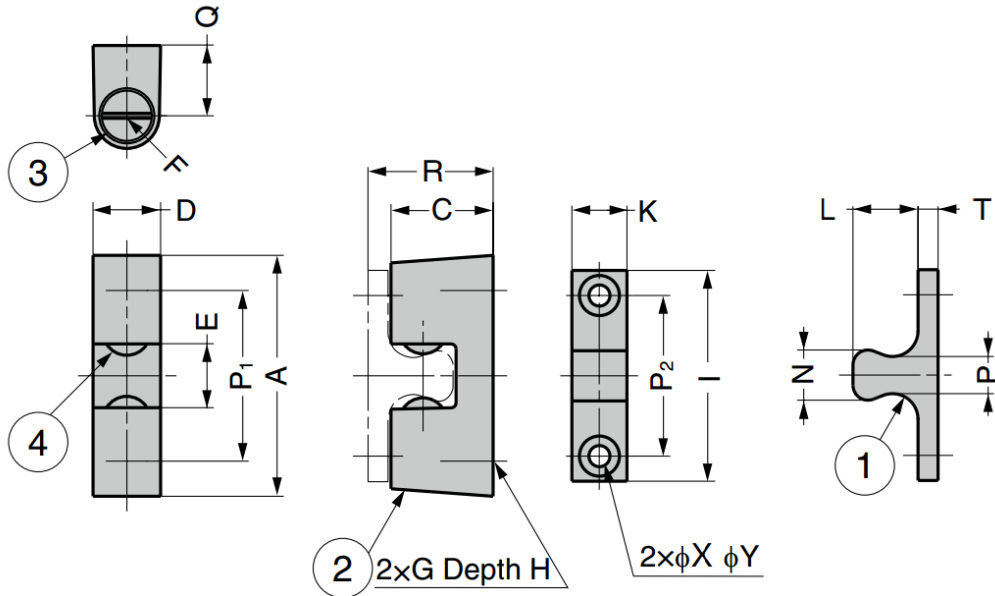
Application Example



Can also be installed vertically.



No.	Part Name	Material	Finish
①	Counter Plate	Zinc Alloy (ZDC)	Chrome
②	Body		
③	Cover	Brass	Nickel
④	Ball	Steel	Polished
-	Spring	GBCU-40: Steel (SWP) GBCU-70: Steel (SW)	Plain



Part No.	Push-In Force		Pulling Force	
GBCU-40	35.3 N	3.6 kg	23.5 N	2.4 kg
GBCU-70	40.2 N	4.1 kg	38.2 N	3.9 kg

Part No.	A	P ₁	C	D	E	F	G	H	I	P ₂	K	L	N	P	T	X	Y	Q	R
GBCU-40	28.5	20	12.5	8.3	6.5	R4	M3	5	25	16	7.5	8.8	5.5	3.7	3	3.2	6.4	8.5	15.7
GBCU-70	48	34	20.5	13.5	12.7	R6.5	M5	6	42	32	11	13	10	7.3	4	4.2	8.4	14	24.9